

# MOUVEX

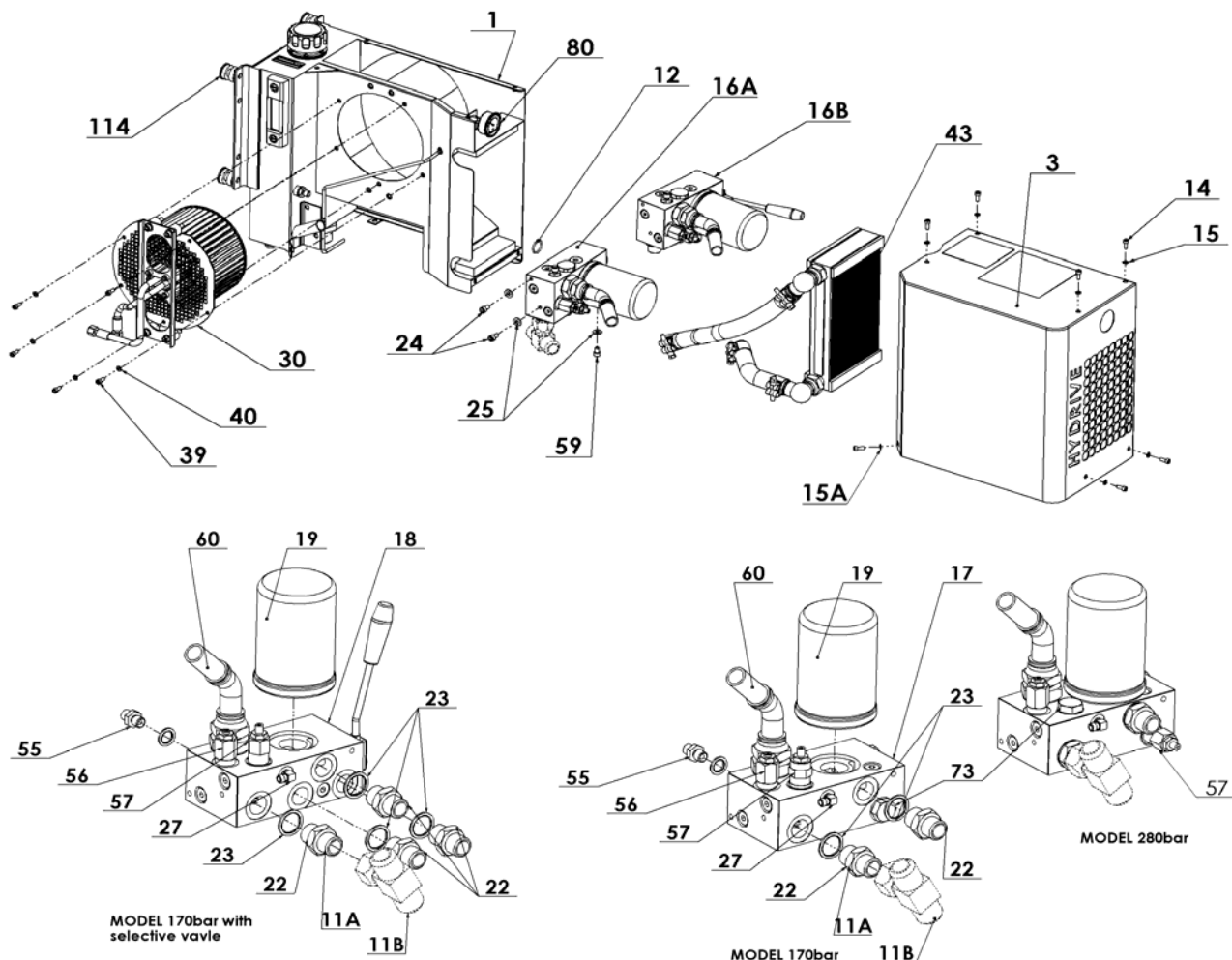
MODEL :

# PARTS LIST HYDRIVE 2010

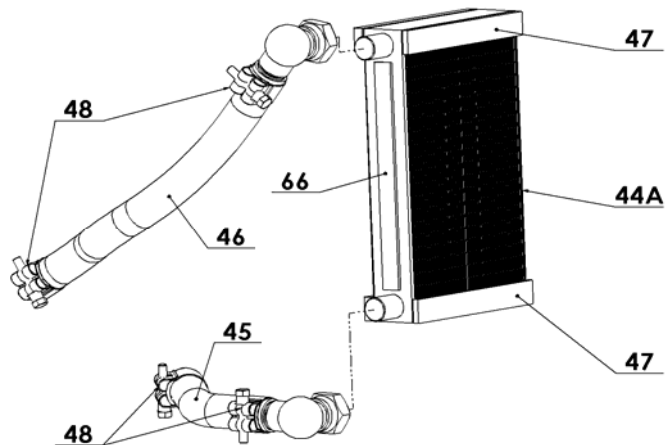
PL : 206-A01

Section	206
Effective	November 2011
Replaces	March (2) 2011

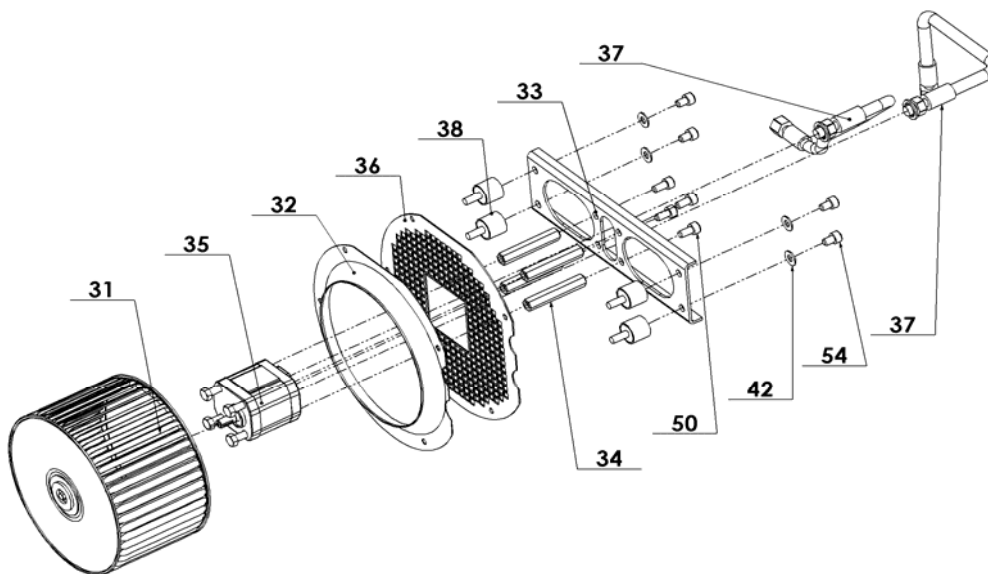
(See Instructions 206-A00 for Installation, Operation and Maintenance)



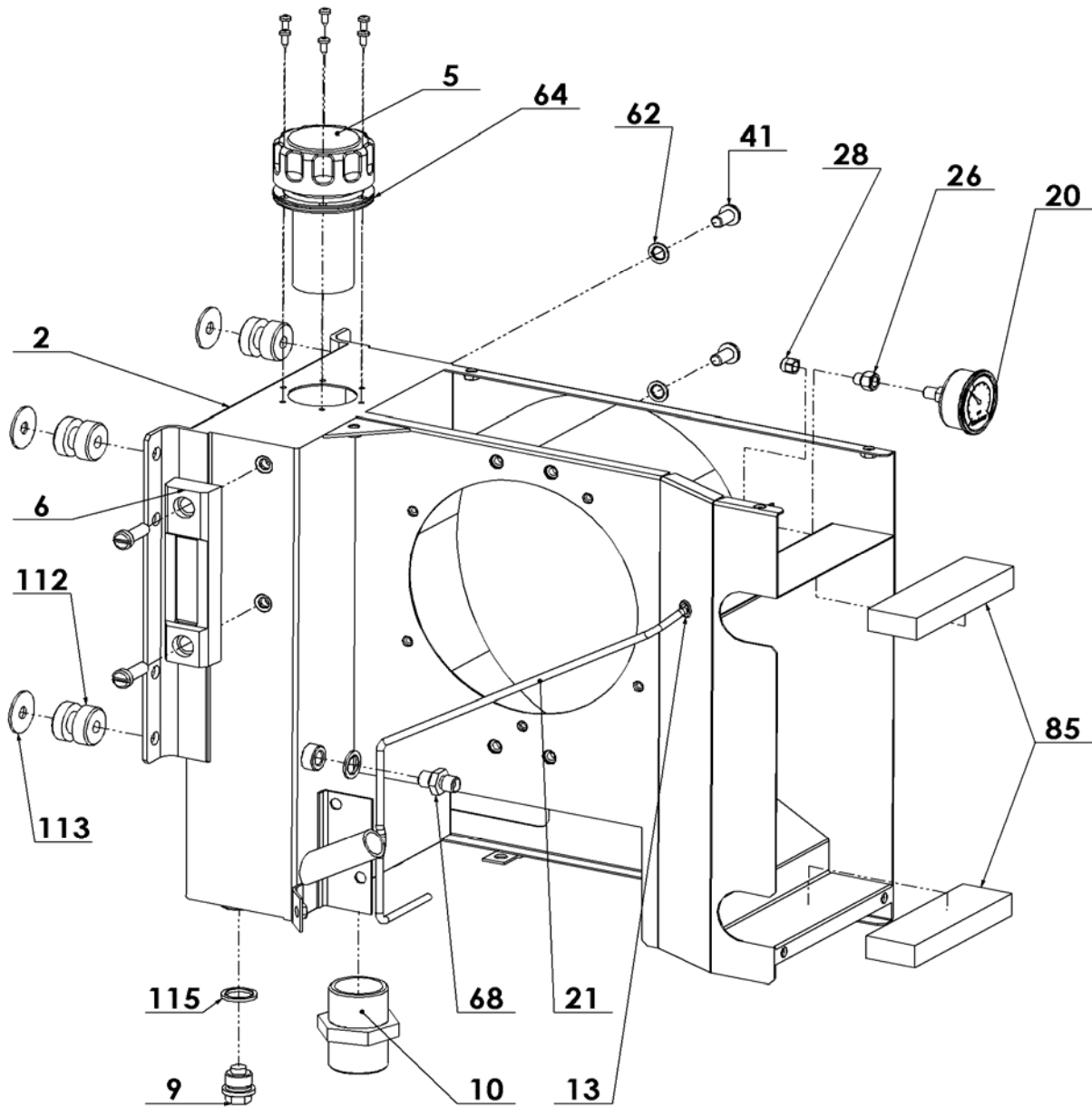
Article code	Description	Quantity	Reference	Wear parts	Notes
219180	BSP-NPT Adapter 1" 1/2 (Europe version)	1	10		▲
219179	NPT Adapter 1" 1/2 (US Version)	1	10		▲
219209	Adapter 3/4" BSP 1" 1/16 x 12 JIC M/M (US Version)	1	11A		▲
225335	Revolving 1" 1/16 JIC M/F/M (US Version)	1	11B		▲
	Adapter 3/4" (Europe version) :				
219187	BSP/BSP M/M	2	22		▲
219187	BSP/BSP M/M with Selective valve	4	22		▲
	Adapter 3/4" (US version) :				
219810	BSP 1" 5/16 x 12 JIC M/M	1	22		▲
219810	BSP 1" 5/16 x 12 JIC M/M with Selective valve	3	22		▲
219188	Seal	2	23		▲
219188	Seal (with Selective valve)	4	23		▲
219219	Adapter. 3/8" BSP 1/4" BSP	1	55		▲
219377	Elbow	1	60		▲
	Vibration pad	4	112		See 114
	Washer	4	113		See 114



Article code	Description	Quantity	Reference	Wear parts	Notes
<b>312152.01</b>	<b>Radiator assembly</b>	<b>1</b>	<b>43</b>		◆
	Radiator hose	1	45		See 43
	Radiator hose	1	46		See 43
	Clamp	4	48		See 43
<b>315148.00</b>	<b>Radiator equipped ■</b>	<b>1</b>	<b>44A</b>		◆
	Radiator	1	44		See 44A
	Foam rubber	2	47		See 44A
	Foam rubber	2	66		See 44A
	Foam rubber	2	85		See 44A

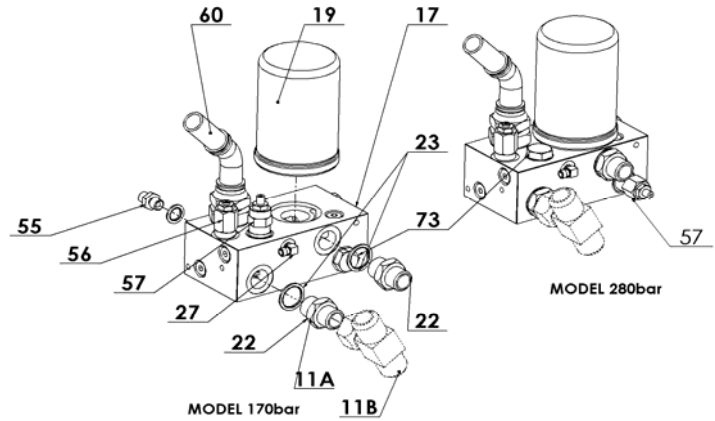
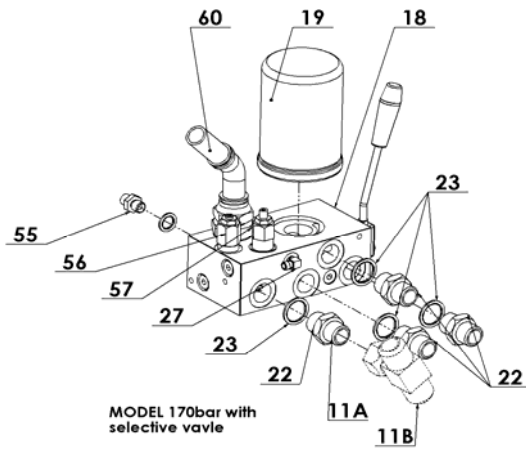


Article code	Description	Quantity	Reference	Wear parts	Notes
<b>314822.02</b>	<b>Fan assembly</b>	<b>1</b>	<b>30</b>		◆
315240.00	Fan ■	1	31		▲
	Fan inlet ring	1	32		See 30
219195	Motor mounting bracket	1	33		▲
	Motor spacer	4	34		See 30 & 137
219197	Hydraulic motor ■	1	35		▲
227053	Fan protection grid (not supplied for USA and Canada)	1	36		▲
	High pressure hydraulic hose	2	37		See 30
	Vibration pad	4	38		See 30 & 137
	Screw	5	39		See 30
	Washer	5	40		See 30
	Washer	4	42		See 30 & 137
	Screw	4	50		See 30
	Screw	4	54		See 30 & 137



Article code	Description	Quantity	Reference	Wear parts	Notes
<b>312147.02</b>	<b>Tank assembly</b>	<b>1</b>	<b>1</b>		◆
	Tank	1	2		See 1
219172	Cover	1	3		▲
219809	Filler / breather Cap (1) ■	1	5		▲
219175	Oil temperature / Level gauge ■	1	6		▲
	Magnetic plug 1/2" BSP	1	9		See 1
	Seal	1	12		See 1
	Sleeve	1	13		See 1
	Screw	7	14		See 1
	Washer	6	15		See 1
	Washer	1	15A		See 1
	Screw	2	41		See 1
	Washer	2	62		See 1
219941	Seal	1	64		▲
	Fitting - Male 1/4" BSP	1	68		See 1
	Seal	1	115		See 1

(1) If the cap has mounting 3 clips holes instead of 6 mounting, use P/N 219809 as a spare part for the cap



Article code	Description	Quantity	Reference	Wear parts	Notes
312148.03	170 bar Hydraulic bloc assembly	1	16A		◆
313818.01	280 bar Hydraulic bloc assembly	1	16A		◆
	Hydraulic Bloc	1	17		See 16A
219221	Fan speed Control valve ■	1	56		▲
227050	Relief valve 170 bar (2) ■	1	57		▲
219220	Relief valve 280 bar (2) ■	1	57		▲
219185	Oil Filter ■	1	19	X	▲
	Screw	2	24		See 16A
	Washer	3	25		See 16A
	Elbow 1/4" BSP x 4 mm	1	27		See 16A
	Screw	1	59		See 16A
	Plug	1	73		See 16A
312554.01	Pressure gauge assembly	1	80		◆
	Pressure gauge	1	20		See 80
	Hose	1	21		See 80
	Fitting M/F 1/8" BSP x 4 mm	1	26		See 80
	Fitting female 1/8" BSP x 4 mm	1	28		See 80

(2) See Interchangeability informations page 6.

## Selective valve version

Article code	Description	Quantity	Reference	Wear parts	Notes
<b>312151.02</b>	<b>170 bar Hydraulic bloc with Selective valve assembly</b>	<b>1</b>	<b>16B</b>		◆
	Hydraulic bloc for Selective valve	1	18		See 16B
219221	Fan speed Control valve ■	1	56		▲
227050	Relief valve 170 bar (2) ■	1	57		▲
219185	Oil Filter ■	1	19	X	▲
	Screw	2	24		See 16B
	Washer	3	25		See 16B
	Elbow	1	27		See 16B
	Screw	1	59		See 16B
<b>312554.01</b>	<b>Pressure gauge assembly</b>	<b>1</b>	<b>80</b>		◆
	Pressure gauge	1	20		See 80
	Hose	1	21		See 80
	Fitting M/F G 1/8"	1	26		See 80
	Fitting female 1/8" BSP x 4 mm	1	28		See 80

## Repair kits

Article code	Description	Quantity	Reference	Wear parts	Notes
<b>315296.00</b>	<b>Hydraulic bloc converting kit : 170 &gt; 280 bar (2)</b>	<b>1</b>	<b>1114</b>		◆
219220	Relief valve 280 bar	1	57		▲
	Plug	1	73		See 1114
<b>315297.00</b>	<b>Hydraulic bloc converting kit : 280 &gt; 170 bar (2)</b>	<b>1</b>	<b>1114</b>		◆
219220	Relief valve 170 bar	1	57		▲
	Plug	1	73		See 1114
<b>313652.00</b>	<b>Support kit</b>	<b>1</b>	<b>114</b>		◆
	Vibration pad	4	112		See 114
	Washer	4	113		See 114
<b>314823.00</b>	<b>Vibration pad Kit ■</b>	<b>1</b>	<b>137</b>		◆
	Motor spacers	4	34		See 137
	Vibration pad	4	38		See 137
	Washer	4	42		See 137
	Screw	4	54		See 137
<b>226913</b>	<b>Hydraulic Motor seals kit (not shown)</b>	<b>1</b>			◆

(2) See Interchangeability informations page 6.

# Interchangeability informations

## Hydraulic bloc

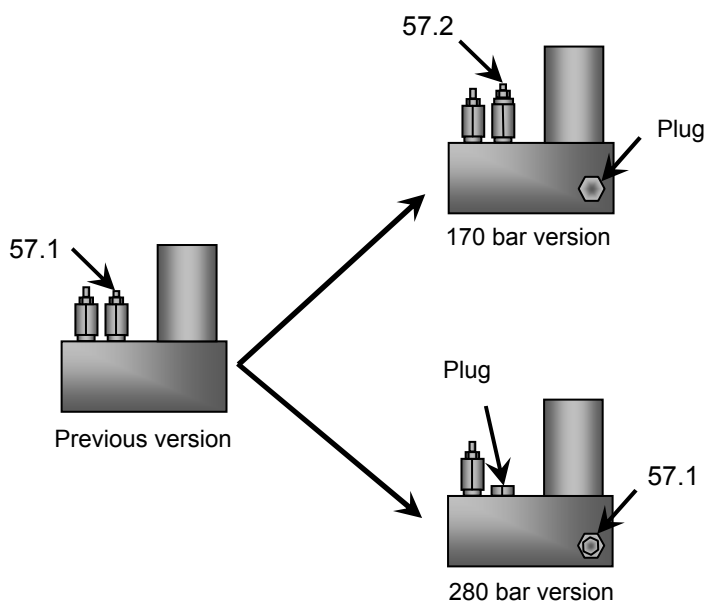
The hydraulic bloc has been upgraded in January 2010 to receive a new relief valve used until 170 bar, where as the previous one is still used but only above 170 bar.

As they are not interchangeable, there are two ports in the new bloc, the one not used is plugged.

In case of replacement of the relief valve, you need first to identify the model.

Please consider the following information.

## Location of the relief valve



## Identification of the relief valve

Item	Référence	Mark
57.1	219220	1AR60
57.2	227050	1DR50



- Recommended parts to have on stock
- ◆ Sets of parts sold only in a kit or (▲) parts available to order.

Keep this parts lists with Installation, Operation and Maintenance Instructions.

To order the required spare parts, indicate the appropriate CUM numbers.



Z.I. la Plaine des Isles - 2 rue des Caillottes F-89000 AUXERRE - France  
 Tél : +33 (0)3 86 49 86 30 • Fax : +33 (0)3 86 49 87 17  
 contact@mouvex.com • www.mouvex.com